

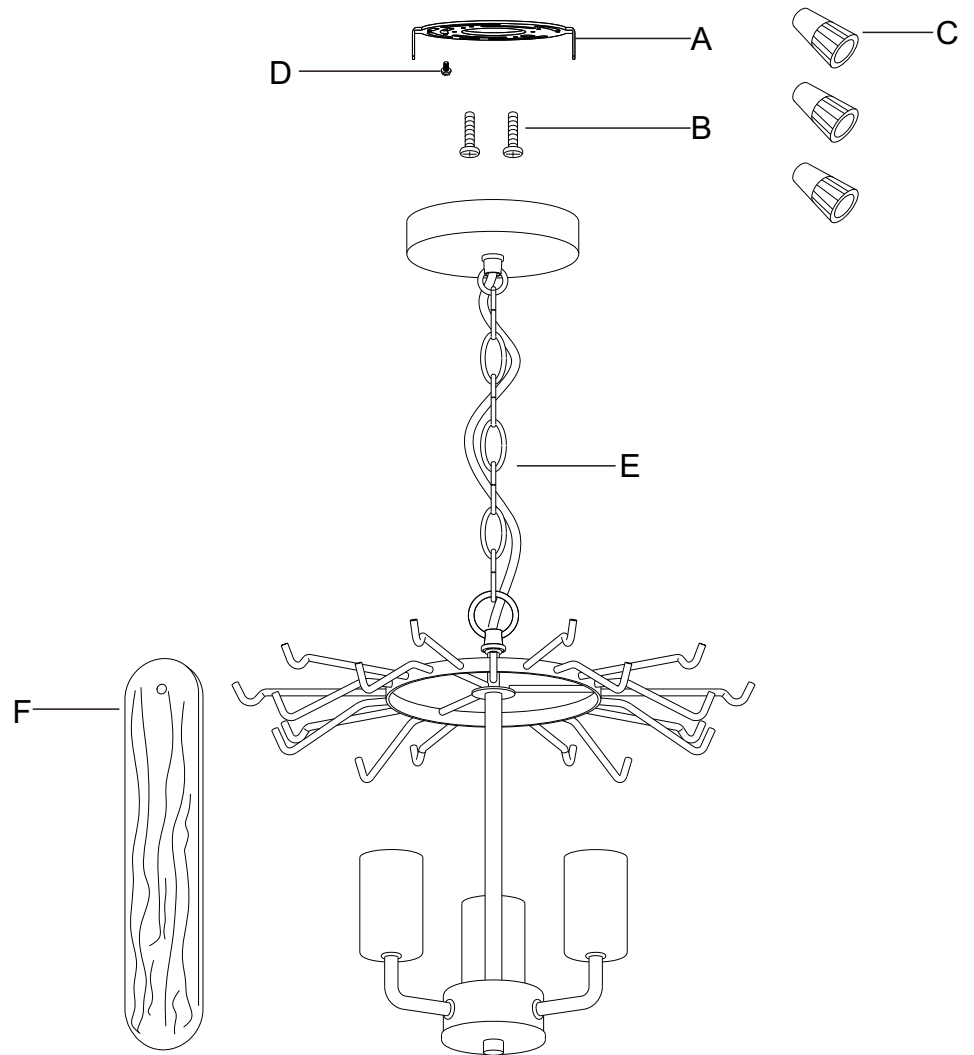
LILA CHANDELIER
ASSEMBLY AND INSTALLATION INSTRUCTIONS
ENGLISH

LILA CHANDELIER **ENGLISH**

LILA CHANDELIER

PARTS INCLUDED

- (A) Mounting Plate (1)
- (B) Outlet Screws (2)
- (C) Plastic Wire Connectors (3)
- (D) Green Ground Screw (1)
- (E) Lamp Fixture (1)
- (F) Glass Stripes (20)



IMPORTANT: PLEASE READ

PLEASE FOLLOW THE ASSEMBLY INSTRUCTIONS CLOSELY. IMPROPER ASSEMBLY OR INSTALLATION CAN RESULT IN PERSONAL OR PROPERTY DAMAGE. MOUNTING HARDWARE HAS BEEN PROVIDED FOR MOUNTING DIRECTLY TO A JUNCTION BOX. UNIQUE OR ALTERNATIVE INSTALLATION METHODS MAY REQUIRE DIFFERENT MOUNTING HARDWARE, WHICH HAS NOT BEEN INCLUDED. ALWAYS CONSULT WITH A LICENSED ELECTRICIAN BEFORE INSTALLATION.

INSTALLATION BY A LICENSED ELECTRICIAN IS STRONGLY RECOMMENDED.

IMPORTANT SAFETY FEATURES

BULBS

This fixture has been rated for three (3) 8.5W LED Type A bulbs (Not included). To avoid the risk of fire, do not exceed the recommended wattage.

VAULTED-CEILING COMPATIBILITY

This fixture is vaulted-ceiling compatible up to a maximum ceiling slope of 90 degrees.

DIMMER-SWITCH COMPATIBILITY

This fixture is dimmer-switch compatible.

CEILING REINFORCEMENT

Fixtures weighing 50 lbs. or more will require additional reinforcement above the ceiling where they are to be installed.

WARNINGS

All wires are connected. When unpacking, be careful not to pull wires, as damage may result. Do not connect electricity until the fixture is fully assembled. To reduce the risk of fire, electrical shock, or personal injury, always turn off fixture and allow it to cool prior to replacing the light bulb. Do not touch or look directly at the bulb when fixture is illuminated. Keep flammable materials away from lit bulb.



WARNING: This product can expose you to lead, which is known to the State of California to cause cancer and birth defects or other reproductive harm.

For more information, go to www.P65Warnings.ca.gov.

WARNING: STRANGULATION HAZARD

Keep cord at least 3 feet away from cribs, bassinets, and toddler beds. Keep out of reach of children under 3 years of age.

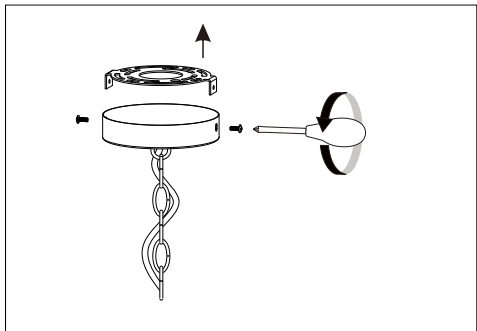
THIS PRODUCT IS NOT A TOY AND HAS NO PLAYVALUE.

ASSEMBLY AND INSTALLATION

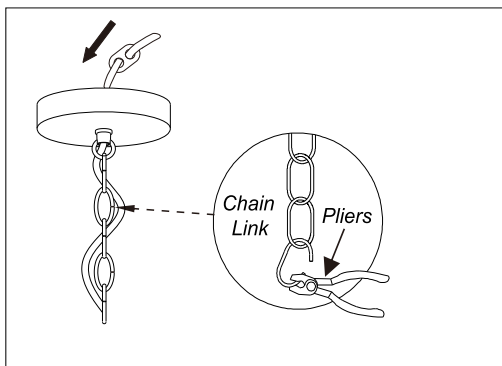
SHUT OFF THE MAIN ELECTRICAL SUPPLY FROM THE FUSE BOX OR CIRCUIT BREAKER PANEL.

1. Carefully remove all parts from the box and remove all plastic coverings.
2. Loosen Mounting Plate (A) from ceiling cup in Lamp fixture (E)
3. Determine the desired hanging length of the pendant and cut the cord to length, leaving enough cord to reach the ceiling junction box.
4. Screw the ground wire from the fixture onto Mounting Plate (A) with Green Ground Screw (D) and fully tighten with a screwdriver. Or cut the metal washer at the end of the ground wire and attach the ground wire from the fixture to the ground junction box wire from the outlet box (usually green or bare wire) with a Plastic Wire Connector (C) and wrap the connection with electrical tape.
5. Refer to the wiring diagram on the following page for accurate wire connections. Cut out the excess wires after professional installation. Keep proper ventilation around the driver, and do not stack any objects on top of it.
6. Fasten Mounting Plate (A) onto the ceiling using Outlet Screws (B). Fully tighten the screws. Attach Canopy to Mounting Plate (A) and fully tighten.
7. Hang the glass stripes (F) to the hook on Lamp Fixture (E).
8. Insert 3 Bulb (Not Included) into threaded sockets.
9. Restore power to the junction box and test fixture.
10. Assembly is complete.

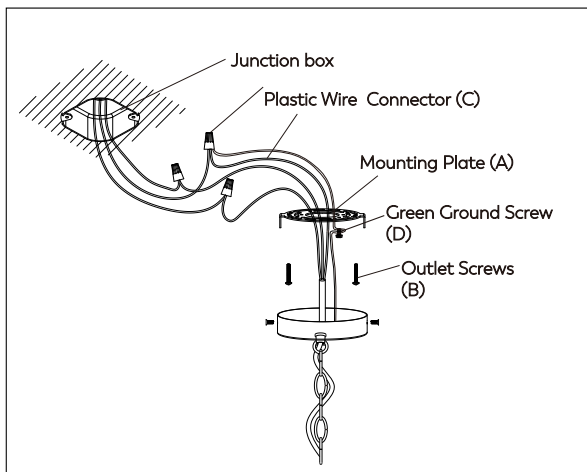
Step 1



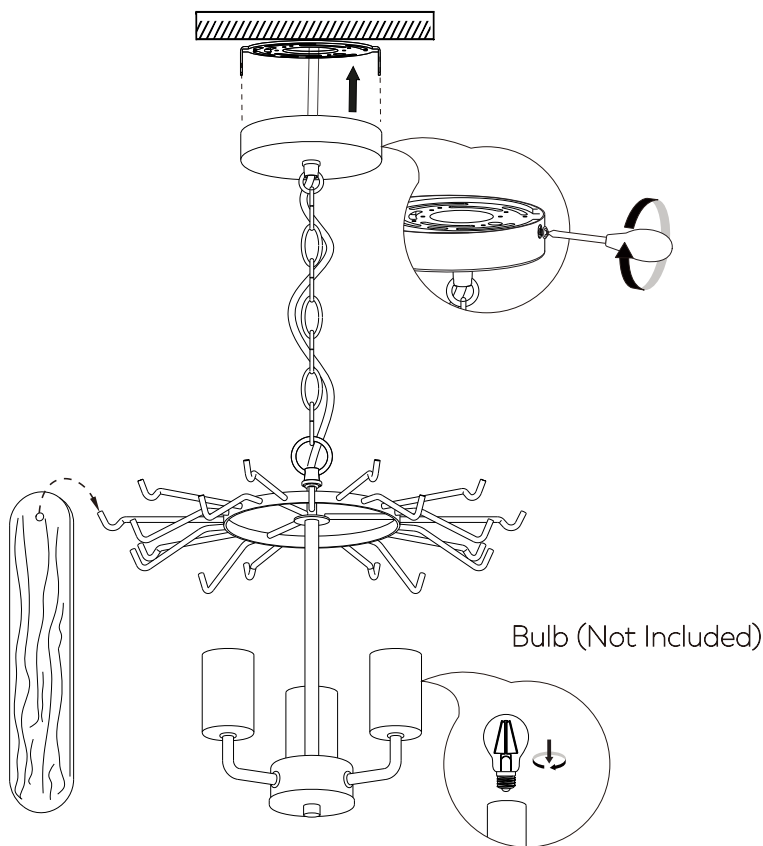
Step 2



Step 3



Step 4



CARE INSTRUCTIONS

Do not use polishes or cleaners on the fixture.

Wipe clean with a soft, dry cloth.